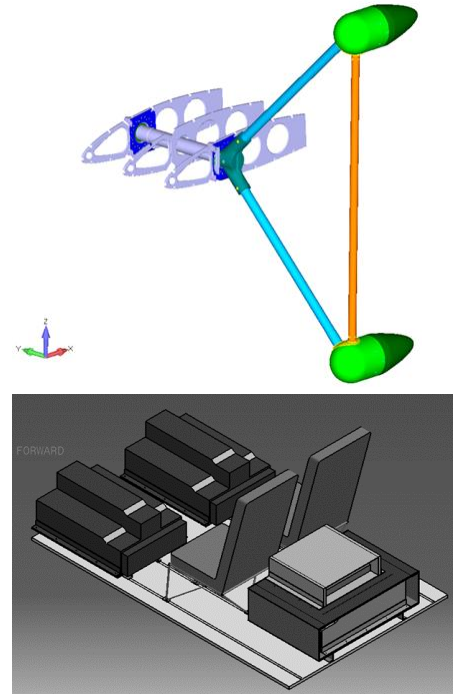


Magnetometer System

Designed to install the right pole with RIEGL VP-1 kit p/n TPS109-03-00 for the application of the Long Range LiDAR Sensor in airborne surveying missions.



COMPATIBLE DEVICES

WEIGHT

| COMPATIBLE DEVICES | WEIGHT |
|--------------------|---------------|
| N°4 Magnetometer | 4 x 1.3kg |
| N°3 Spectrometer | 90÷102 kg |
| Underwing Pod | 0.407kg |
| Cabin Rack Devices | 13.24kg |
| N°2 auxiliary tank | 2 x Max 228Kg |

Key Features

- N°4 Magnetometer Supports, composed by 2-array vertical sensor system with an aerodynamic fiberglass amagnetic structure pod;
 - N°3 structural interface for the internal spectrometers;
 - Rack:Devices,p/n TPSPC6-00200-1503, installed inside the cabin for:
 - IMU Unit
 - Fluxgate
 - MiniMUX
 - Interface Control
 - Power Distribution Unit;
 - Underwing Pod, installed on the wing strut, for:
 - Thermometer / Pressure gauge
 - Camera;
 - Row of passenger seats is installed to accommodate the payload operators;
- Left and right auxiliary tanks installed, max 228kg.

Applicability on:

- Pilatus Aircraft PC6 B2-H4

Electrical Characteristics

- 25.3 A @ 28 VD;
- Power consumption 708.4W.

The kit is stand alone and does not communicate nor interfere with the A/C systems.