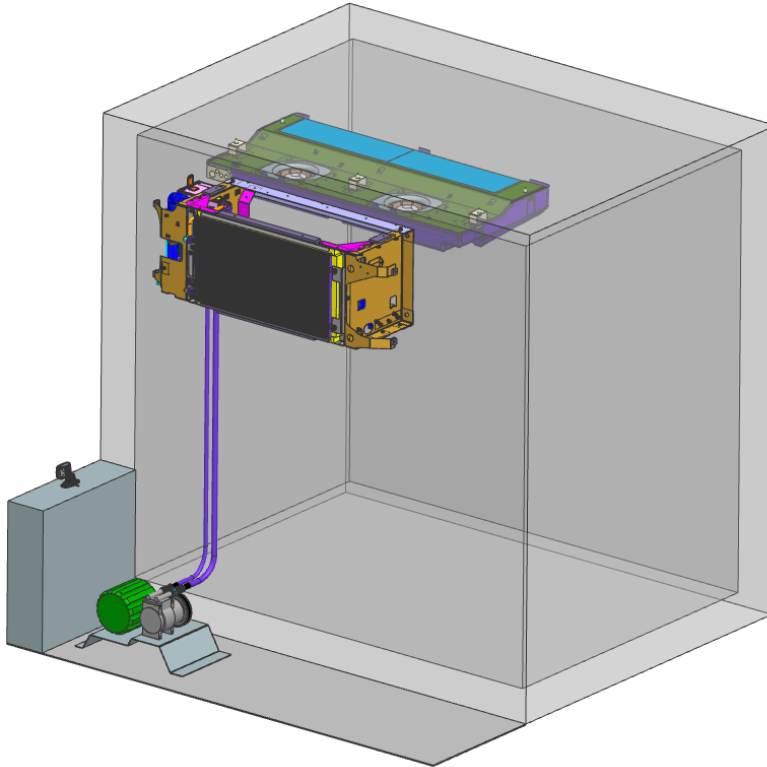


Refrigerator Chamber

Designed for the safe transport of first aid items at low and constant temperatures.
Compatible with all types of transport: aircraft and vehicles.



REFRIGERATOR CHAMBER

<i>p/n</i>	TPSISO-001-00
<i>Dimension LxW</i>	270 x 220 cm
<i>Inside Volume</i>	15÷20 m ³
<i>Empty Weight</i>	90kg

Key Features

- Internal Constant Temperature: -30°C
- Working Environmental Temperature: -20°C ÷ +60°C;
- Compliant with flammability Requirement;
- Integrated Refrigeration System with Control System;
- Standard Refrigerant:
 - R404a;
 - R452a.

Applicability on:

- *Small and Large Airplane*
- *Train*
- *Truck*

Electrical Characteristics

- DC 24V – 28V, 30A;
- AC 220V 1Ph 50Hz,
Power consumption 5kW.