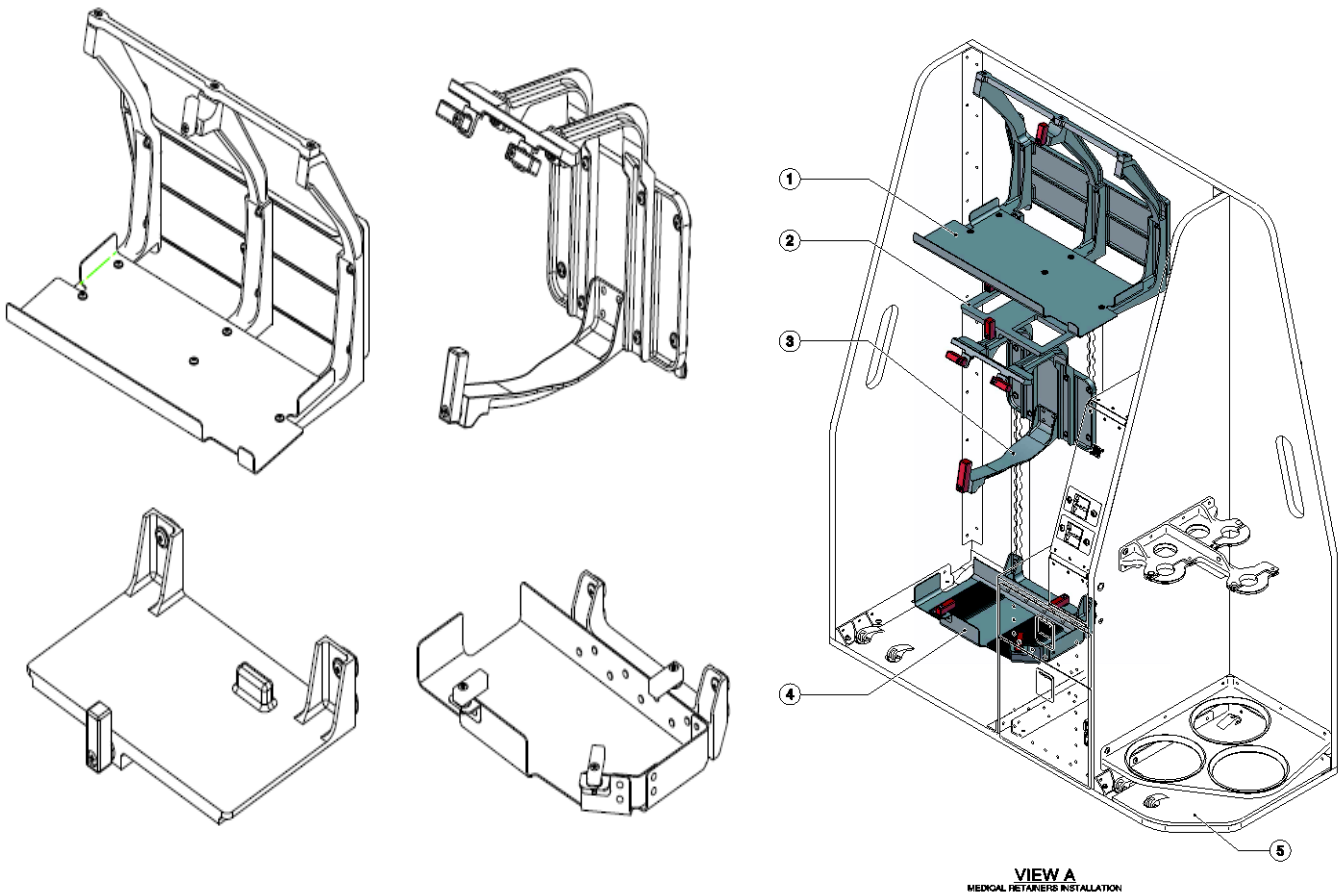


## Retainers for Medical Device



	<b>p/n</b>	<b>Retainer</b>	<b>Max Weight</b>
1	TPS139-0400-1010-00-00	Support Assy Lifepack15	10.5kg
2	TPS139-0400-1030-00-00	Support Assy Braun	3.9kg
3	TPS139-0400-1020-00-00	Oxylog3000 Support Assy	6.9kg
4	TPS139-0400-1040-00-00	Support Assy Laerdal	4.56kg

### Key Features

- Material AL2024;
- 1/4 turn lock the devices;
- Quick and Easy Attach and Remove, compatible with standard attachment seat rails.

### Applicability on:

- Medical Interior Kit AW139 Rack, p/n TPS139-0300-0100-00-00;
- Medical Rack, p/n TPS169-03-00.
- Other Medical Rack with rails to be developed